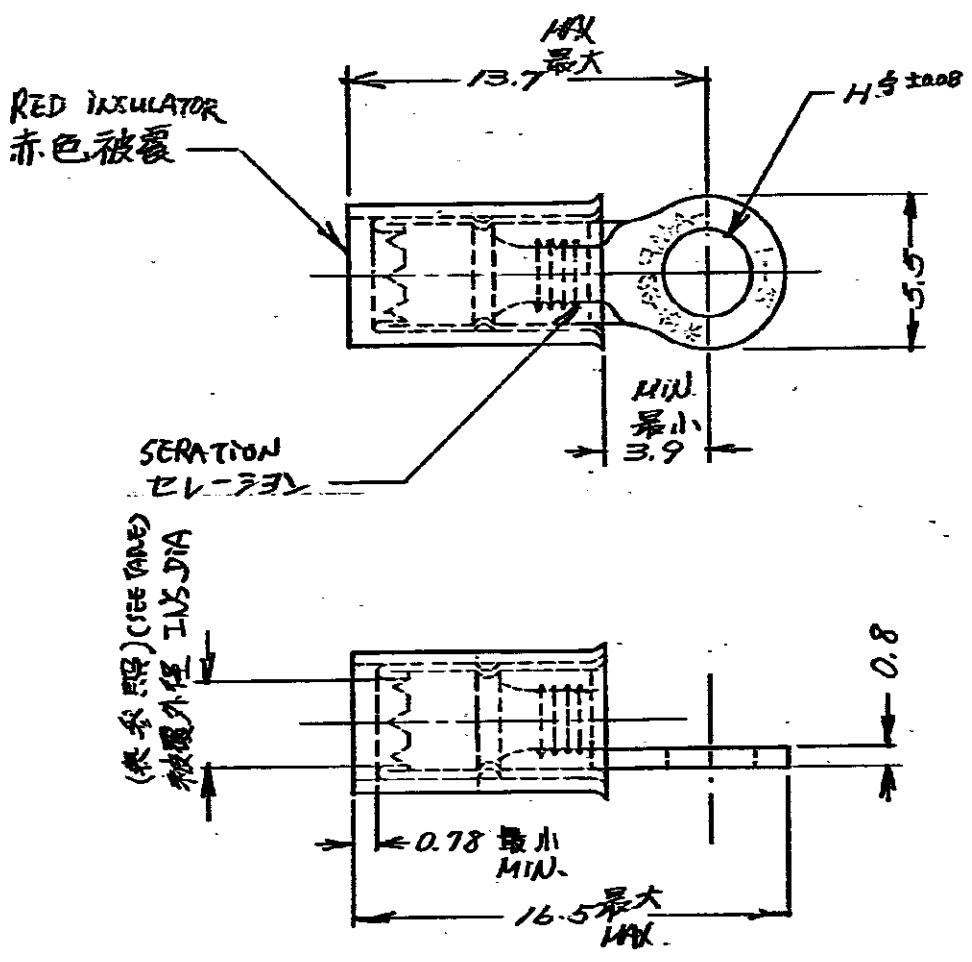


C-171505



| (P/N)               | (STUD)        | (H DIM)         | (INS DIA)            |
|---------------------|---------------|-----------------|----------------------|
| 型番                  | Stud          | H寸法             | 被覆外径                 |
| 171505-1            | #4            | 3.02            | 2.03~3.18            |
| -2                  | #6            | 3.68            | 2.03~3.18            |
| -3                  | #4            | 3.02            | 2.67~3.56            |
| -4                  | #6            | 3.68            | 2.67~3.56            |
| <del>171505-5</del> | <del>#1</del> | <del>2.03</del> | <del>2.03~3.18</del> |
| <del>171505-6</del> | <del>#</del>  | <del>3.25</del> | <del>2.03~3.18</del> |
| 171505-7            | #2            | 2.36            | 2.03~3.18            |

単位: 寸法 DIMENSIONS IN MM. DO NOT SCALE PRINT

|  |  |  |  |                                      |  |
|--|--|--|--|--------------------------------------|--|
| D1 OBSOLETE (REV. 05/4/72) K.N. Y.T.     |  | CIRCUITRY AMP (CIRCUITRY) ALL RIGHTS RESERVED. AMP PRODUCTS COVERED BY PATENTS AND/OR PATENTS PENDING. |  | 参考図番 (CUSTOMER COPY) REFERENCE ONLY  |  |
| D REVISED (REV. B) P-DWG K.Y. S. S. 1/10 |  | MATERIAL: 電気銅  |  | AMP   AMP (JAPAN), LTD. Tokyo, Japan |  |
| C REVISED (REV. B) P-DWG S.O. 1/10       |  | FINISH: 鍍めつき   |  | CLASS: 4                             |  |
| B ADDED MARK H.S. M.S. 1/15              |  | WIRE RANGE: 0.26~1.04 mm AWG 22-18   |  | TYPE: 参考図番                           |  |
| A REVISED (REV. A) P-DWG H.D. M.S. 1/15  |  | INSULATION DIA: 参考図番   |  | 参考図番                                 |  |
| O 参考図番                                   |  | TOLERANCE: ±0.5 (EXCEPT AS NOTED) ±1.0   |  | REV. D1                              |  |
| LTR 変更 REVISION RECORD DR. CHK. DATE     |  | SCALE: 4-1   |  | LDC SIZE 番号: JAC-171505              |  |
| A  |  | T.E. (NAME): 丸型端子 RING TERMINAL  |  |                                      |  |